

DG series remote control relief valves can be used to remote control pressure in hydraulic systems.



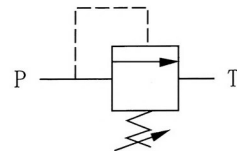
### Ordering details

D	G	02	1	30
Sort	Mounting type	Nominal size	Pressure adjustment range	Design code
Remote control relief valve	G: Subplate mounting T: Thread mounting	01: NG3 02: NG6	1: 2~70bar 2: 35~140bar 3: 70~250bar	30

### Technical specification

Model	DG-01	DG-02	DT-01	DT-02
Max. flow rate (l/min)	2	16	2	16
Working pressure (MPa)	25			
Weight(kgs)	1.4	1.5	1.6	1.5

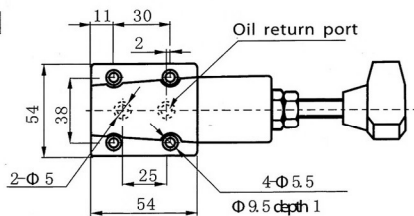
### Symbol



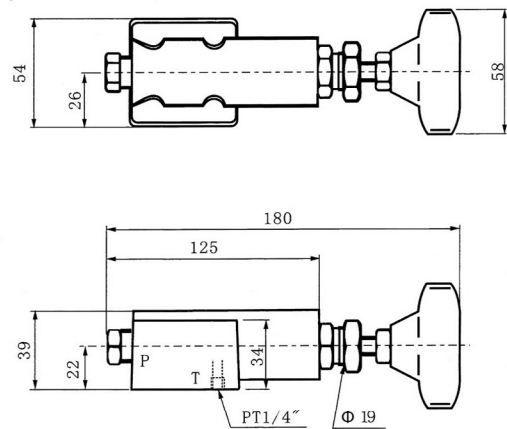
### Dimensions

Unit: mm

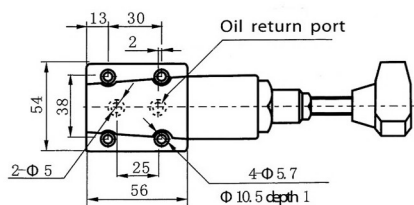
DG-01



DT-01



DG-02



DT-02

