

AJ series orthogonal check valves allow free flow in one direction and block flow in the counter direction.

Ordering details

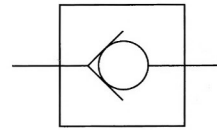
CR	G	03	50
Sort	Mounting type	Nominal size	Cracking pressure
CR: Right Angle check valve	Subplate mountain	03: (3/8") 06: (3/4") 10: (1 1/4")	04: 0.4 bar 35: 3.5 bar 50: 5 bar



Technical specification

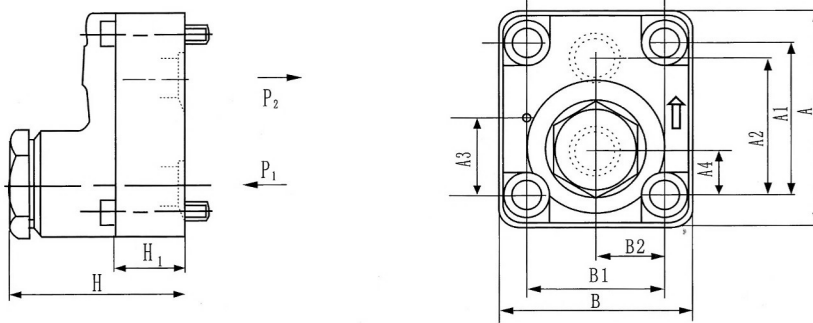
Model	CRG-03	CRG-06	CRG-10
Max. flow rate (l/min)	30	80	200
Max. operating pressure (MPa)	31.5		
Weight(kgs)	2	4	8

Symbol



Dimensions

Unit: mm



Model	A	A 1	A 2	A 3	A 4	B	B 1	B 2	H	H 1
CRG-03	80	60	47.6	30.1	12.7	68	47.6	23.8	65.5	49
CRG-06	114	80.9	68.2	40.5	22.2	96	65.1	32.6	85	40
CRG-010	131	92.1	71.4	46	20.1	129	92.1	46.1	100	51